

ZL-2202 *Zwei L* Glass Shelf Clamp

Features

- Superior "Zwei L Finish" - *Zwei L* represents the very pinnacle of ultra-premium Japanese hardware design. The contrasting bands of mirror finish and lustrous satin on a faceted profile give a jewel like finish that highlights and enhances any industrial design

Notes

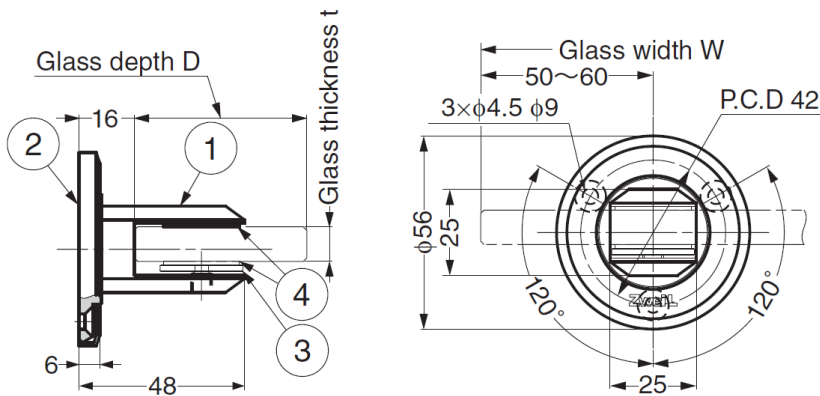
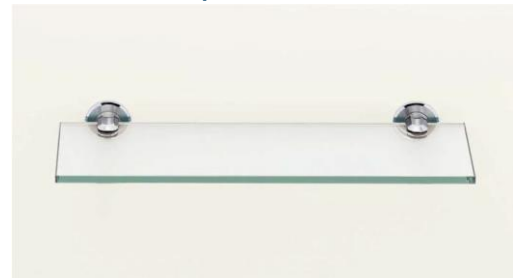
- Glass thickness: 8 mm or 10 mm
- Sold by piece

Parts Included

- Allen key 2.5
- Countersunk head wood screw 4.1×32
- Plug



Installation Example



No.	Part Name	Material	Finish/Colour
①	Clamp	Stainless Steel (SUS316)	Zwei L Finish
②	Base Plate	Stainless Steel (SUS316)	Zwei L Finish
③	Bumper Plate	Stainless Steel (SUS316)	Zwei L Finish
④	Bumper	Rubber	Black

Part No.	Glass Size (per pair)		
	t	D	W
ZL-2202	8 or 10	Max. 160	Max. 480